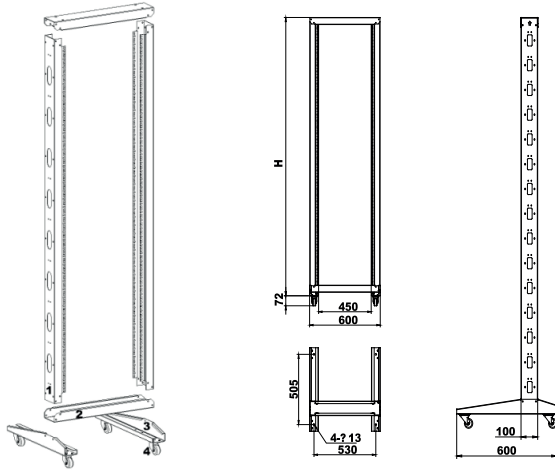


NR21A series Open Racks



Standard:

Comply with ANSI/EIA RS-310-D IEC60297-2, DIN41494; PART1; DIN41494; PART7

Material:

SPCC Cold Rolled Steel;
Column: 1.5mm, others: 2.0mm

Colour:

Black

Loading Capacity:

Static loading: 150KG

FEATURE:

- Modular design, easily assemble and disassemble for delivery, low-cost.
- Various optional accessories according to requirements (cable management slot, removable working panel, etc.,)

MAIN PART

S/N	Specification	Qty	Material	Surface Finish	Remark
1	Column	2	SPCC t1.5	Powder coated	----
2	Plinth	2	SPCC t2.0	Powder coated	----
3	Support Crossbeam	2	SPCC t2.0	Powder coated	----
4	2" heavy duty castor	4			----
	M6 screw& nuts	40	Steel	Color zinc	Accessories bag

SPECIFICATION

Model No.	RU	Width(mm)	Depth(D)(mm)	Height(H)(mm)	CBM
NR21A -30	30	600	600	1465	1470*150*130
-	42	600	600		2000*150*130
NR21A 42				2000	